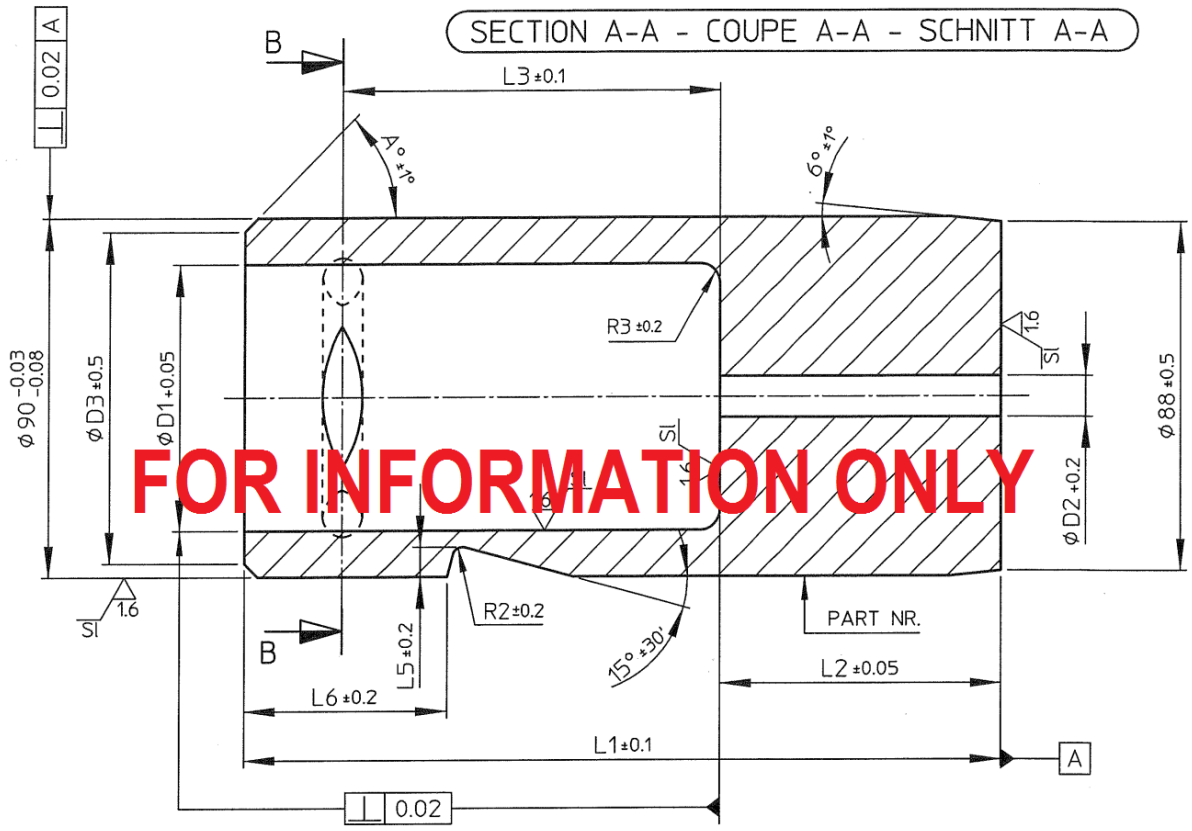
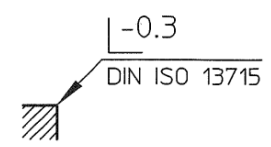
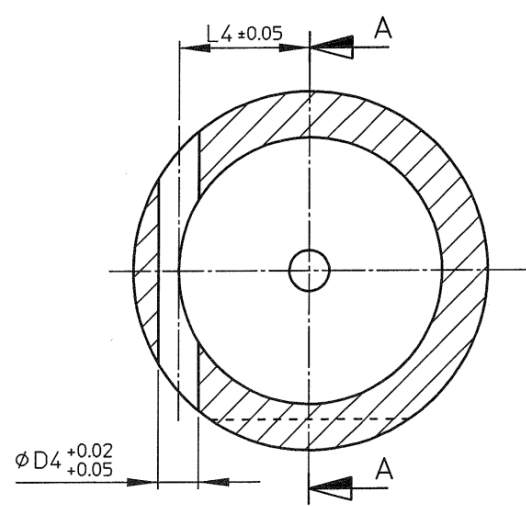


If reproduction, distribution and utilization of this document as well as the communication of its content to others without express authorization is prohibited, offenders will be held liable for the payment of damages. All rights reserved in the event of the grant of a patent, utility model or design. (DIN ISO 16016)



SECTION B-B - COUPE B-B - SCHNITT B-B



269096.01	70.0	15.0	80.0	8.0	220.0	80.0	112.0	35.0	5.0	66.0	45°
PART NR.	D1	D2	D3	D4	L1	L2	L3	L4	L5	L6	A°
Machine: NH522L17	Dim.:						Surf. finish:		Scale:		
	Mat.: 50NiCr13 1.2721						6.3 √		Date: 13-01-17		
1	Treatm.: HARDENED-GEHARTET-TREMPE 52-54 Rc						1 Ra = 10 <sup>-6</sup> CLA		Drawn: B.V.G.		
2	Description: <b>HOUDER</b> HOLDER SUPPORT HALTER						Drwg. No.:		Size: A4		
3									Sheet:		
4									1/1		
5											