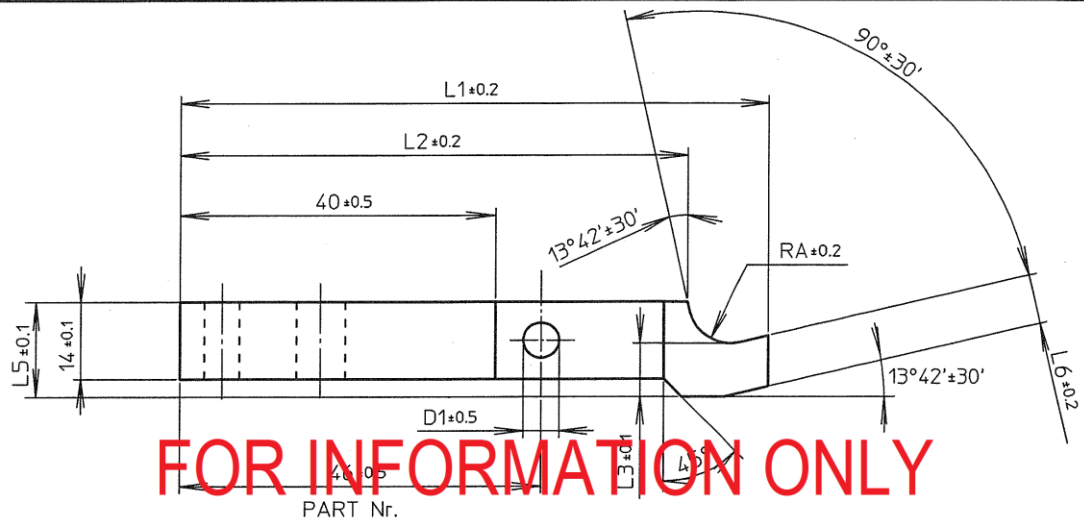
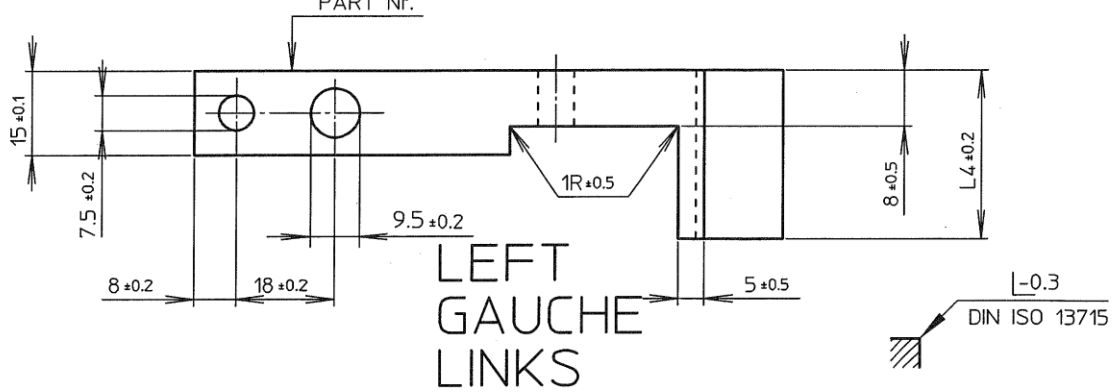


This drawing is property of ...dschroef. No reproduction without written permission.



FOR INFORMATION ONLY



LEFT
GAUCHE
LINKS

230118.20	84.3	66.2	5.5	40.0	18.0	4.0	9.5	7.0	∅23.5 - ∅26.0
230118.19	84.3	66.2	5.5	30.0	18.0	4.0	9.5	7.0	∅23.5 - ∅26.0
230118.18	84.3	66.2	5.5	20.0	18.0	4.0	9.5	7.0	∅23.5 - ∅26.0
230118.17	84.3	66.2	5.5	15.0	18.0	4.0	9.5	7.0	∅23.5 - ∅26.0
230118.16	84.3	66.2	5.5	10.0	18.0	4.0	9.5	7.0	∅23.5 - ∅26.0
230118.15	83.8	67.2	6.5	40.0	18.0	5.0	8.5	7.0	∅21.5 - ∅24.0
230118.14	83.8	67.2	6.5	30.0	18.0	5.0	8.5	7.0	∅21.5 - ∅24.0
230118.13	83.8	67.2	6.5	20.0	18.0	5.0	8.5	7.0	∅21.5 - ∅24.0
230118.12	83.8	67.2	6.5	15.0	18.0	5.0	8.5	7.0	∅21.5 - ∅24.0
230118.11	83.8	67.2	6.5	10.0	18.0	5.0	8.5	7.0	∅21.5 - ∅24.0
230118.10	83.4	68.3	5.0	40.0	15.5	5.0	7.5	7.0	∅19.5 - ∅22.0
230118.09	83.4	68.3	5.0	30.0	15.5	5.0	7.5	7.0	∅19.5 - ∅22.0
230118.08	83.4	68.3	5.0	20.0	15.5	5.0	7.5	7.0	∅19.5 - ∅22.0
230118.07	83.4	68.3	5.0	15.0	15.5	5.0	7.5	7.0	∅19.5 - ∅22.0
230118.06	83.4	68.3	5.0	10.0	15.5	5.0	7.5	7.0	∅19.5 - ∅22.0
230118.05	82.8	69.3	6.0	40.0	15.5	5.0	6.5	7.0	∅17.0 - ∅20.0
230118.04	82.8	69.3	6.0	30.0	15.5	5.0	6.5	7.0	∅17.0 - ∅20.0
230118.03	82.8	69.3	6.0	20.0	15.5	5.0	6.5	7.0	∅17.0 - ∅20.0
230118.02	82.8	69.3	6.0	15.0	15.5	5.0	6.5	7.0	∅17.0 - ∅20.0
230118.01	82.8	69.3	6.0	10.0	15.5	5.0	6.5	7.0	∅17.0 - ∅20.0

PART NR.	L1	L2	L3	L4	L5	L6	RA	D1	TRANSFER DIA.
----------	----	----	----	----	----	----	----	----	---------------

Machine: BV5-BL4 NH418-NH518 NH/NB X22 PBV65 1 2 3 4 5	Afm.:	Mat.: C45 10503		Bew.: 3.2/		Gez.:		
	Beh.:			1 Ra = 10 ⁻⁶ m CLA		Dat.: 00-02-08		
	Benaming:	VINGER FINGER PINCE GREIFER		Tek. nr.: 1/3		Get.: G.C.		
							Form.:	
							Schaal:	

